

Cabinet Light Specification



- Low-voltage safety, moisture-proof and durable
- Soft light, flicker-free and eye-friendly
- No blind spots inside the cabinet, making it easy to find items at a glance
- Ultra-thin and invisible design, space-saving
- Supports recessed installation, as well as hole-free direct magnetic installation

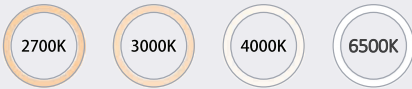
Technologies

- ON/OFF

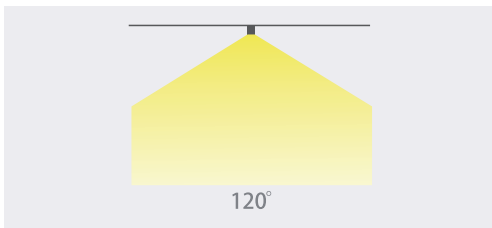
General Application

- Suitable for various household and display cabinets, including wardrobes, kitchen cabinets, wine cabinets, bookcases, shoe cabinets, display cabinets, etc.

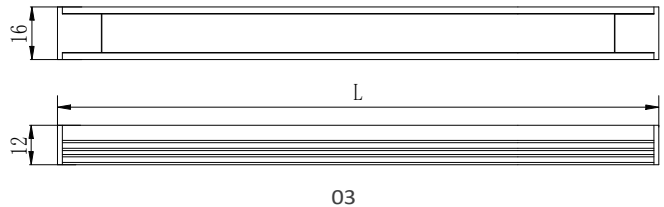
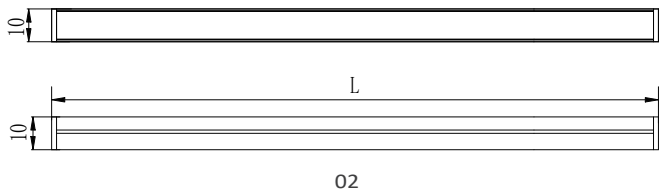
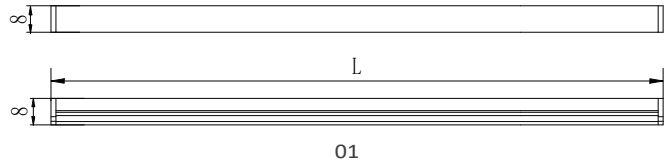
Color Options



Beam Angle



Dimension



Product specifications

P/N		appearance	Size (mm)	Voltage DC(V)	Flux (lm)	Efficiency (lm/w)	Power (W)	Current (A)	CCT (K)	CRI
01	RL-FV2404120283504-9xx-CLS0808	Silver	400*08*08	24	220	55	4	0.167	2700K/3000K/	90
	RL-FV2404120283506-9xx-CLS0808		600*08*08	24	330	55	6	0.250	3500K/4000K/	90
	RL-FV2404120283508-9xx-CLS0808	Black	800*08*08	24	440	55	8	0.333	5000K/5700K/	90
	RL-FV2404120283510-9xx-CLS0808		1000*08*08	24	550	55	10	0.417	6500K	90
02	RL-FV2406120283504-9xx-CLS1010	Silver	400*10*10	24	200	50	4	0.167	2700K/3000K/	90
	RL-FV2406120283506-9xx-CLS1010		600*10*10	24	300	50	6	0.250	3500K/4000K/	90
	RL-FV2406120283508-9xx-CLS1010	Black	800*10*10	24	400	50	8	0.333	5000K/5700K/	90
	RL-FV2406120283510-9xx-CLS1010		1000*10*10	24	500	50	10	0.417	6500K	90
03	RL-FV2407120283504-9xx-CLS1612	Silver	400*16*12	24	200	50	4	0.167	2700K/3000K/	90
	RL-FV2407120283506-9xx-CLS1612		600*16*12	24	300	50	6	0.250	3500K/4000K/	90
	RL-FV2407120283508-9xx-CLS1612	Black	800*16*12	24	400	50	8	0.333	5000K/5700K/	90
	RL-FV2407120283510-9xx-CLS1612		1000*16*12	24	500	50	10	0.417	6500K	90

CRI, color temperature, luminous efficacy and aluminum profile color can be customized.

Remark

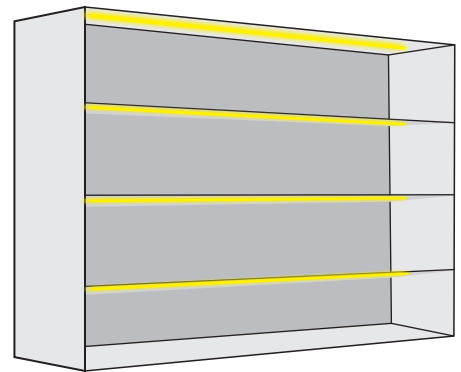
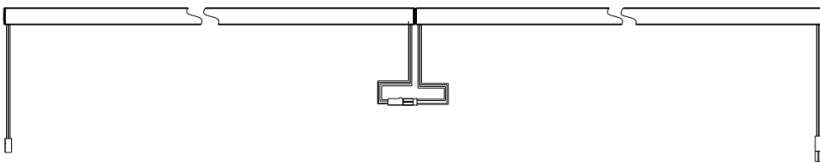
- The test environment temperature is 25±2 C ;
- The above data are typical values,the actual parameters of the product may be different from the typical data;the data is subject to change without notice;

Applied Standards

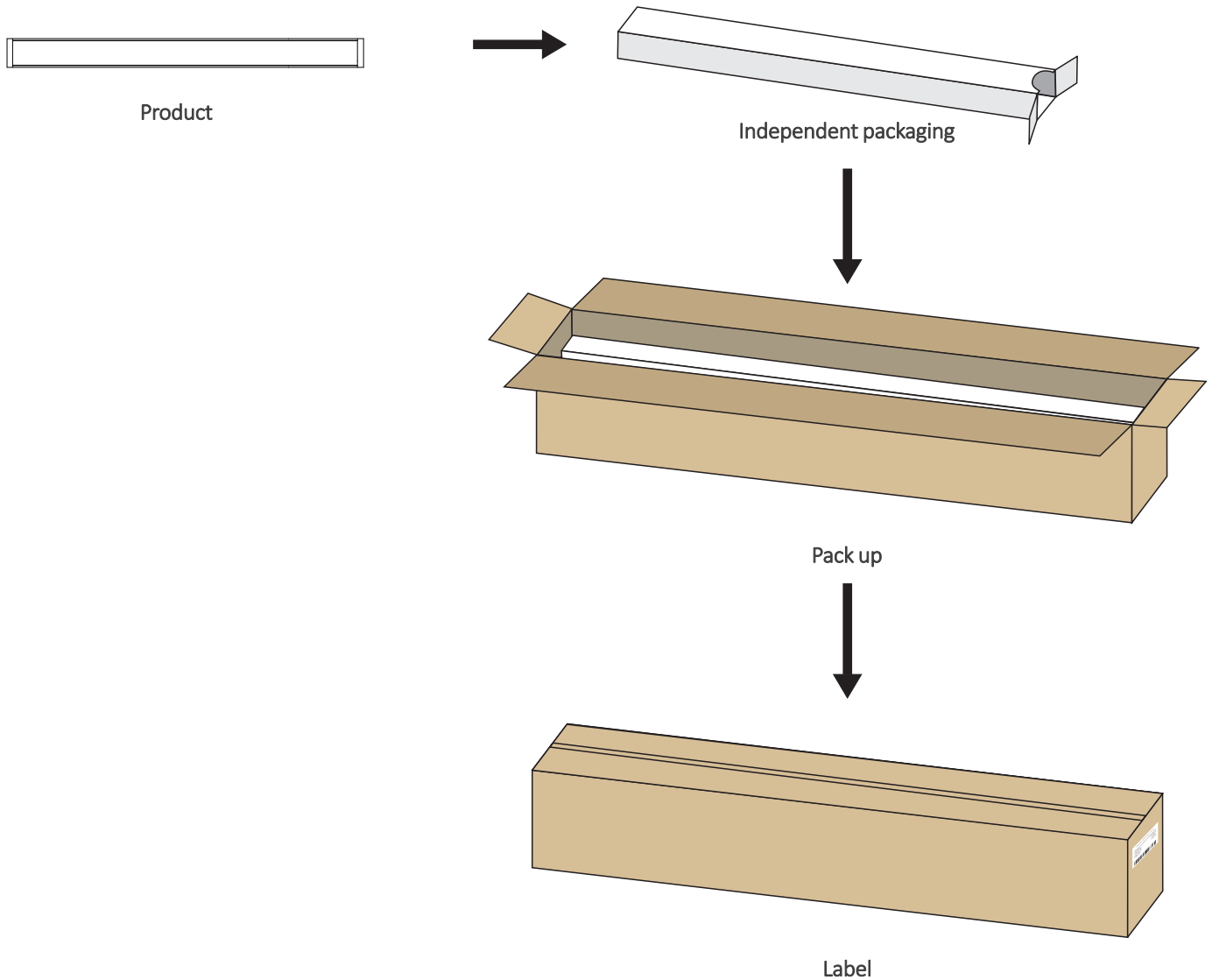


Quick coupling connection scheme

Quick coupling connection scheme



Package



Note :The above-mentioned packaging quantity and weight are only for the packaging method shown in the figure. There will be differences in the number and weight of packaging for other packaging methods, and the actual product shall prevail.

Common product faults and their troubleshooting methods

Fault Phenomena	Possible Causes	Troubleshooting Methods
All lights off	1.Mains power failure	Power on
	2.Open circuit or short circuit at switching power supply output triggering auto-protection	Troubleshoot and restore power
	3.Reverse polarity at LED strip power input	Check wire connection status to ensure correct polarity
Partial lights off	1.Partial switching power supply failure	Inspect power supply system and resolve faults
	2.Wiring error in partial LED strip circuits	
	3.Reverse polarity in partial LED strips	Correct wiring
LED uneven brightness or insufficient brightness	1.Power supply overload	Replace with higher-power supply according to load
	2.Excessive line loss in switching power circuits or significant line loss discrepancies	Maintain LED strip operating voltage within $\pm 5\%$ of rated voltage 1.Shorten power cable length between power supply and LED strip or use larger gauge wires; 2.Ensure number of LED strips per circuit \leq max allowed cascading quantity and keep cascading quantities similar per circuit).
	3.Excessive serial connection of LED strips	Adjust LED strip quantity per power branch to meet max allowed cascading requirements per circuit
LED flickering	1.Poor contact at connection points	Identify and resolve poor contact points
	2.Switching power supply malfunction	Replace switching power supply



Notice

- If the external flexible cable of this product is damaged, the cable must be replaced by the manufacturer or similarly qualified personnel to prevent hazards.
- For specific installation arrangements and precautions, refer to the product user manual.
- Data in this specification is based on standard products, Actual delivered products may vary, subject to physical measurements
- All product diagrams in this specification are schematic diagrams, Actual delivered products may differ, subject to physical objects
- Technical modifications may be implemented without prior notice.
- Shenzhen Meishang Lighting Co., Ltd. reserves the final interpretation rights of this manual.



Specialized
LED Strip Manufacturer

Shenzhen
Relight Technology Co.,Ltd

6th Floor, Building A, Guancheng Industrial Park, Gongming Town,
Guangming District, Shenzhen, China

Tel: 86 0755 3369 1713
Web: www.relight-tech.com
E-mail: Sales@relight-tech.com