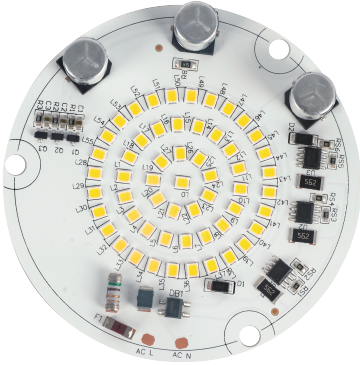


AC LED Light Engine Specification DOB D112 Series

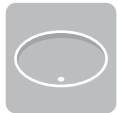


- Connects directly to AC Power
- Various CCT available: 2700/3000/3500/4000/5000/5700/6500K
- CRI:90/80
- Macadam 5 steps color bin
- Solutions for Down light / Spotlight/Candle light/Ceiling light
- AC line voltage 230V input directly
- Power factor higher than 0.9
- TRIAC dimmable

General Application



Down light



Ceiling light



Spot light

Applied standards



EN 62321

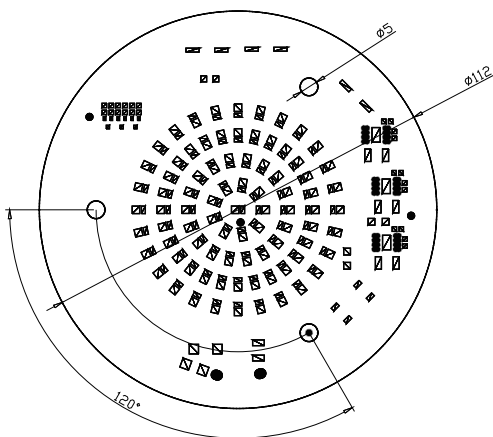
EMC: EN 55015 EN 61547 EN 61000-3-2 EN 61000-3-3



EMI: EN55015 EN61000-3-2 EN61000-3-3

LVD: EN62471 EN62031

Mechanical dimension (Unit: mm)



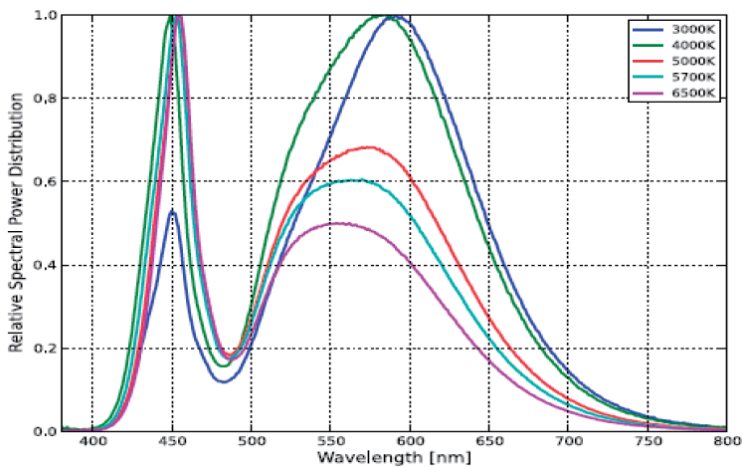
Absolute maximum rating at 25 °C

P/N	Size	Input	Power	PF	Flux	Efficiency	CCT	CRI	Dimming
	mm	Vac	W	-	Lm	Lm/W	K	-	-
RL-HMD112A8401H025-827FF	∅112	230	25	0.9	2750	110	2700	80	TRIAC
RL-HMD112A8401H025-830FF	∅112	230	25	0.9	2875	115	3000	80	TRIAC
RL-HMD112A8401H025-840FF	∅112	230	25	0.9	3000	120	4000	80	TRIAC
RL-HMD112A8401H025-850FF	∅112	230	25	0.9	3000	120	5000	80	TRIAC
RL-HMD112A8401H025-865FF	∅112	230	25	0.9	3000	120	6500	80	TRIAC

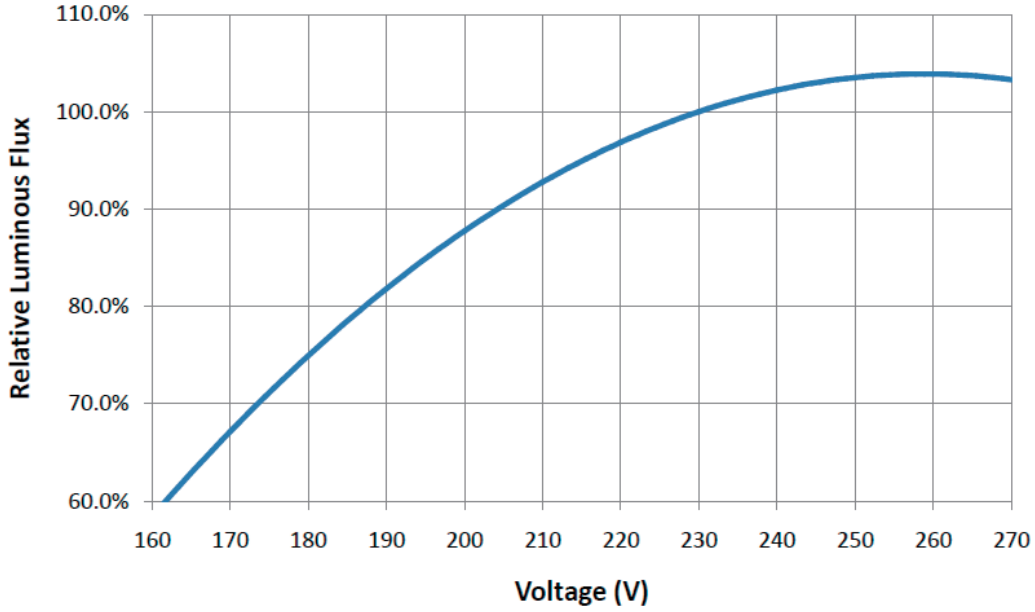
Optical-Electrical Characteristics at 25 °C

Input	200-240Vac
Frequency	50/60Hz
Rated power	Typical power (±10% tolerance)
PF	>0.90
Protection	IP20
Surge level	2.5KV
Hi-pot	1.5KVac
Storage temperature	-30-85 °C
Operation temperature	-30-80 °C (Ts of led components)
Beam Angle	120 deg
Flicker index	<5%

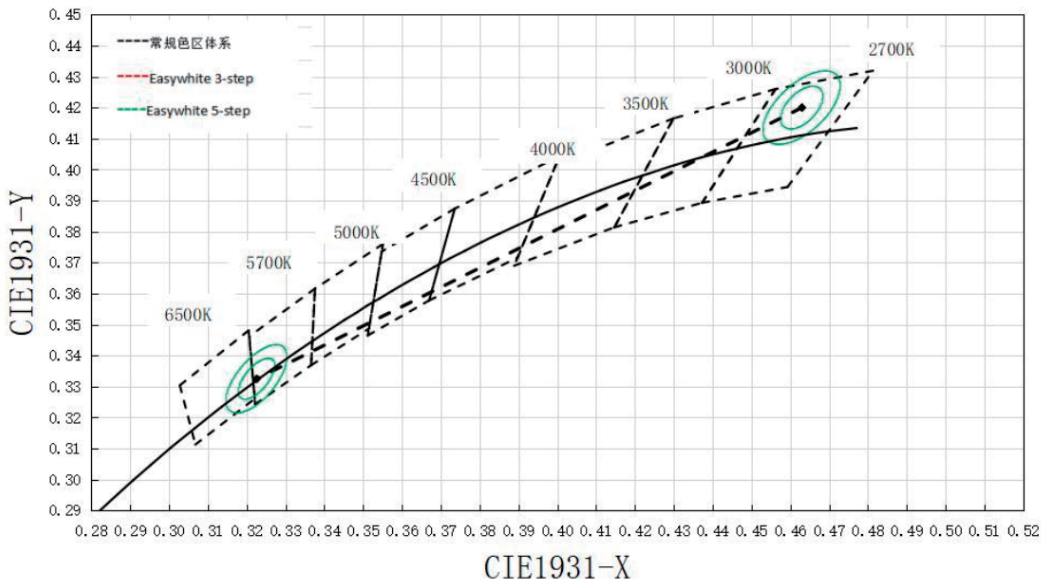
Relative Spectral Distribution vs. Wavelength Characteristic



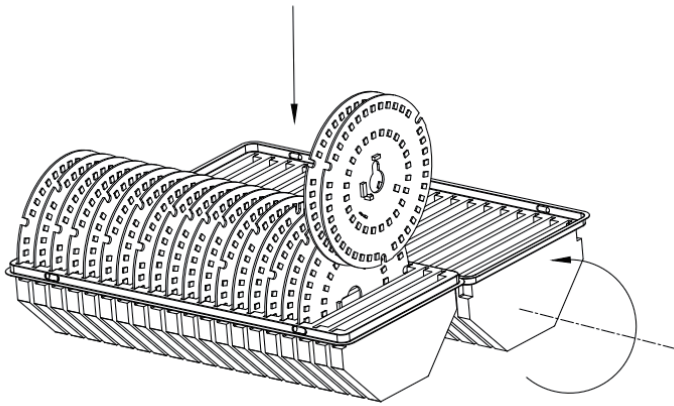
Relative Luminous flux vs. Voltage at Ta=25 °C



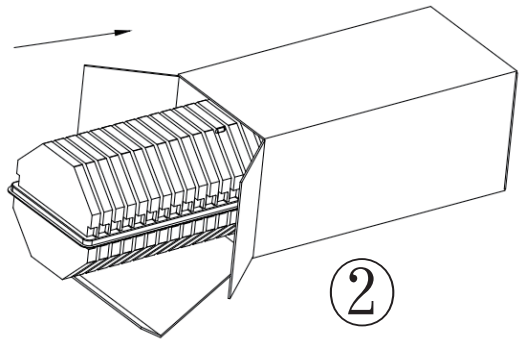
Chromaticity coordinates bin chart



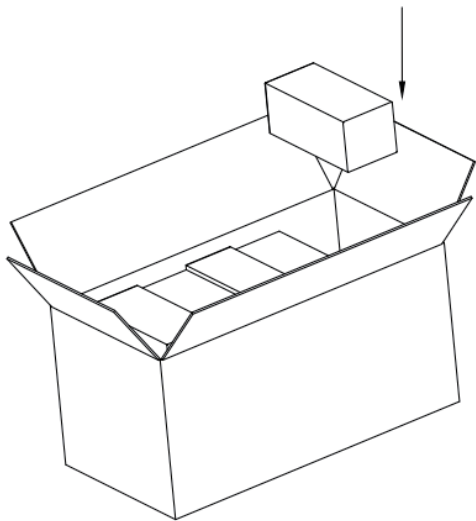
Package



①



②



③



Safety Information

1. The LED module and all its components shall not be subjected to mechanical stress
2. Correct electrical polarity, otherwise module may be damaged
3. Ensure the power supply is suitable for the total load.
4. Electrostatic Discharge (ESD) precautions shall be incorporated when handling or installing the module.
5. Installation of LED modules shall refer to all applicable electrical and safety standards.
6. Suitable for luminaire of protection class 1, grounding is mandatory to comply with safety standards
7. The AC light engine needs to be mounted to a heat sink with a thermal interface material between them
8. It is better to use the AC led module with safety cover
9. Modules may be hot to touch. Use caution when handling.



Specialized
LED Strip Manufacturer

Shenzhen
Relight Technology Co.,Ltd

6th Floor, Building A, Guancheng IndustrialPark,Gongming Town,
Guangming District, Shenzhen, China

Tel: 86 0755 3369 1713
Web: www.relight-tech.com
E-mail: Sales@relight-tech.com